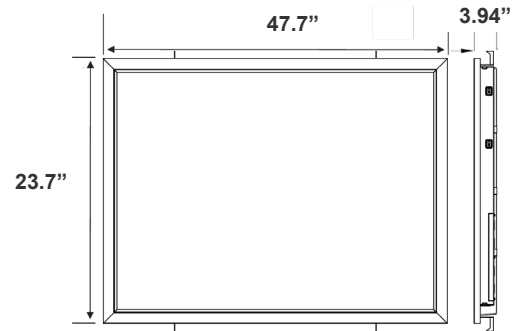
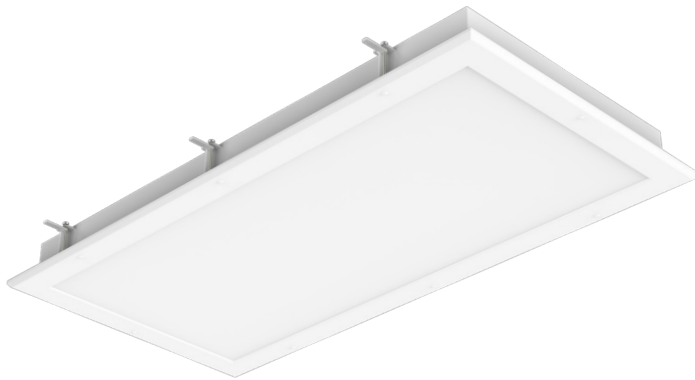


# LPRC SERIES Commercial Lighting

LPCR-2X4-MCTP  
PREMIUM IP65 CLEANROOM PANEL, POWER AND  
CCT ADJUSTABLE  
**MCTP** Multi Color Temperature & Multi Power/Wattage (Selectable)

Customer Name: \_\_\_\_\_  
Project Name: \_\_\_\_\_  
Note: \_\_\_\_\_ | Type: \_\_\_\_\_



23.7"(H) X 47.7"(W) X 3.94"(D)

High-performance DLC Premium, IP65, and NSF-rated cleanroom panel with power and CCT adjustable settings. Ideal for sterile environments, offering versatile lighting solutions with robust protection against dust, water, and contaminants. Perfect for healthcare, food processing, and laboratory applications.

## Features

- Soft and Wide Light-Emitting
- 50,000 Hours Rated Life
- No infrared rays, No Ultraviolet Radiation, No Thermal Effect
- Earthquake hooks and Suspension Hooks Pre-Installed
- No flickering, No humming, No RF interference
- Multi Color Temperature & Multi Power (Selectable Switch on Back of Fixture)

## Technical Specifications

### Electrical:

- Voltage: AC120V-277V 50/60Hz
- Power Factor: >0.90
- Wattage: 30W/40W/50W
- Fixture Operating Voltage: 36VDC
- Rated Input Current (mA): 420/ 337/ 253mA
- Total Harmonic Distortion: ≤ 20 %
- Efficacy: 125 LPW

### Mechanical:

- White Finish
- Earthquake Hooks and Suspension Hooks pre-installed
- External driver mounted on top
- Operating Temperature: -68°F~104°F
- IP Rating: IP20 (Indoor use only)
- Rated life: 50,000 hrs

### Lighting:

- Multi CCT & Multi Power (Selectable Switch On Back of Fixture)
- Dimmable: 0~10V Dimming
- Total Lumens: 6250LM
- Color Temperatures: 3500K/4000K/5000K
- Color Rendering Index: CRI ≥ 80
- 5-Year Warranty
- Beam Angle: 110°

### Applications:

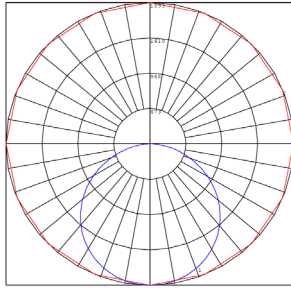
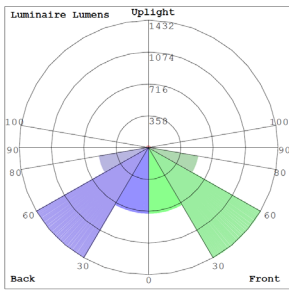
- Healthcare Facilities
- Food Processing Plants
- Pharmaceutical Manufacturing
- Laboratories
- Biotech and Life Sciences

### Other Models:

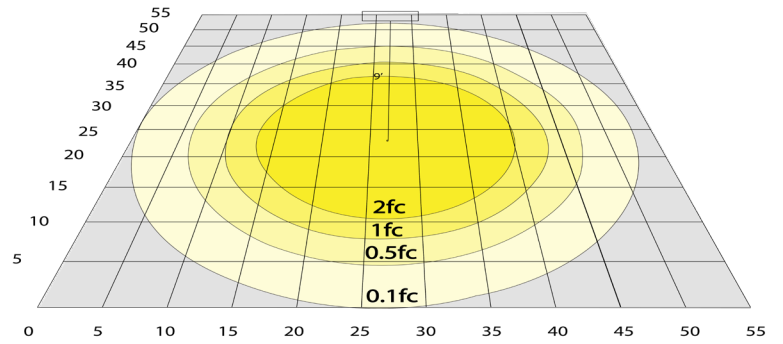
- 40W | 5000LM | LPCR-1X4-MCTP
- 40W | 5000LM | LPCR-2X2-MCTP



## Photometrics: LPCR-2X4-MCTP

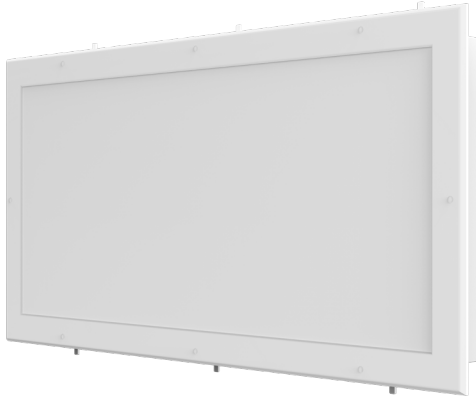


BUD Rating: B2-U2-G1

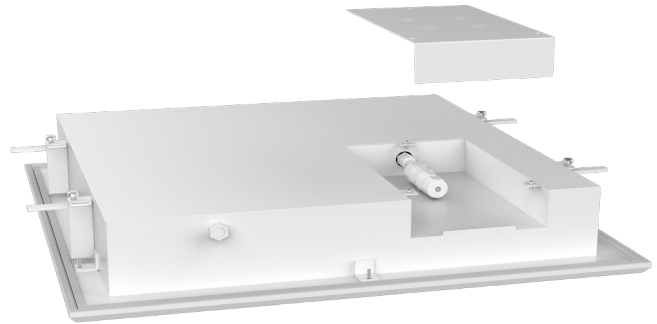


Simulation Based on 4000K Area 55'x 55' Mounting Height: 9'

## Other Views:



Front View



Back View

## Performance Table: LPCR-2X4-MCTP

MODEL NO.	Wattage	Voltage	Lumens	Color Temp.	BUG Rating	LPW
LPCR-2X4-MCTP	30W 40W 50W	120~277V	3750LM 5000LM 6250LM	3500K/4000K/5000K	B2-U2-G1	125

## Sample Ordering

**Model**      **Size**      **Watt/Color Temp.**

LPCR - 2X4 - MCTP

